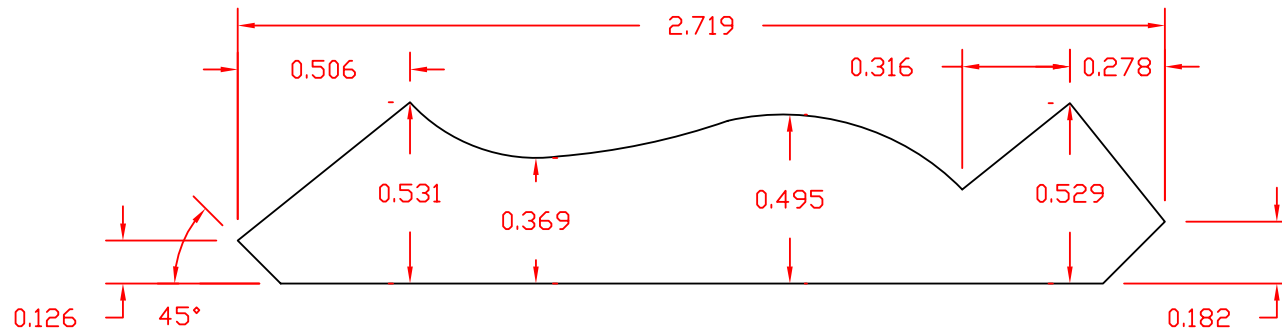
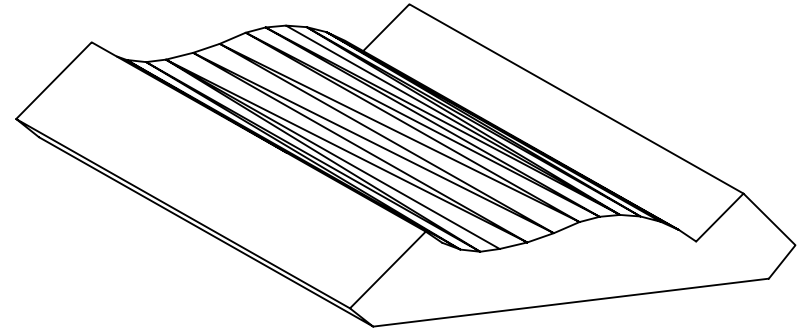
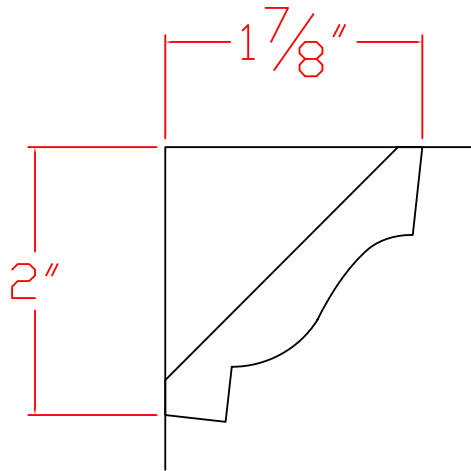
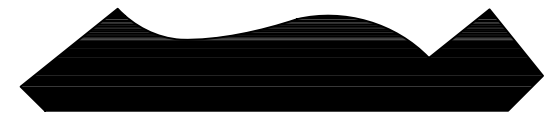


ATW 3077 CROWN  
WALL COVERAGE



9/16" X 2-3/4" CROWN MOULDING  
ATW-3077



|  |                              |         |             |            |          |
|--|------------------------------|---------|-------------|------------|----------|
| <b>Advanced TrimWright, Inc.</b><br>The New Standard of Exterior Trim Products<br>250 Cape Highway East Taunton, MA 02718<br>Phone: 508-822-7745 Fax: 508-822-7734<br>Website: www.advancedtrimwright.com<br>© 2005 AdvancedTrimWright, Inc. | SCALE                        | DATE    | DESIGNED BY | CHECKED BY | APPROVED |
|  | 2:1                          | 4/17/06 | JEC         |            | X        |
|  | PROFILE TYPE: CROWN MOULDING |         |             |            |          |
|  | SIZE: 9/16' X 2-3/4'         |         |             |            |          |
| LOCATION: S:\CADD\OFFICE\MOULDINGS\3077  |                              |         |             |            |          |
| ATW-3077<br>BROSCO REF.# 8003  |                              |         |             |            |          |