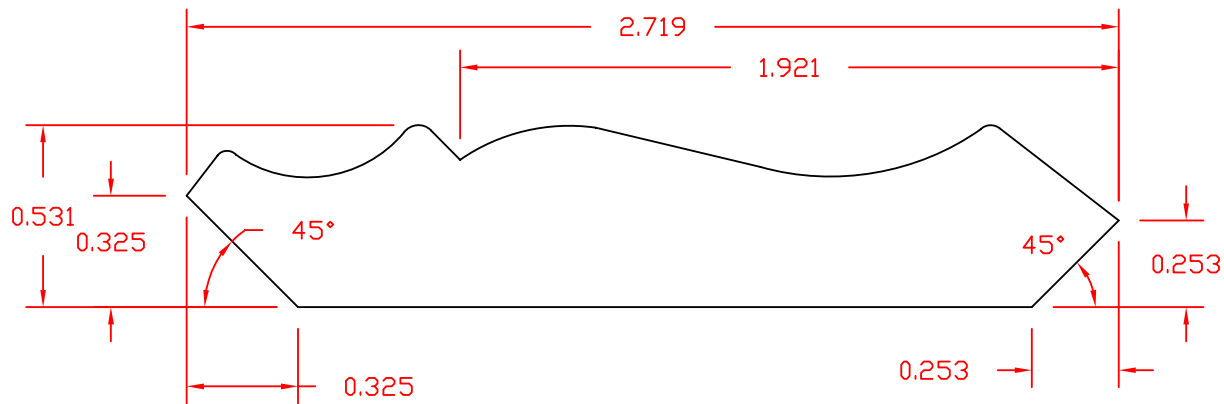
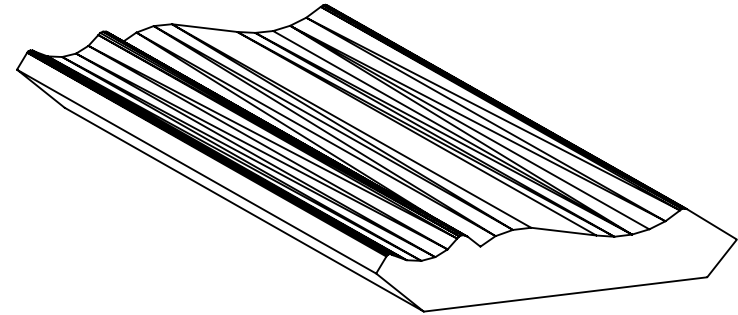
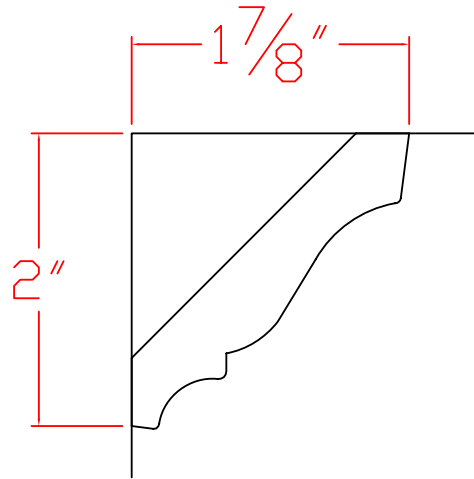


ATW 3074 CROWN
WALL COVERAGE



2-3/4" CROWN MOULDING
ATW-3074



REPLACED ATW-3025

Advanced TrimWright, Inc. TM		SCALE	DATE	DESIGNED BY	CHECKED BY	APPROVED
The New Standard of Exterior Trim Products		2:1	3/27/06	JEC		X
PROFILE TYPE: CROWN MOULDING						
SIZE: 9/16' X 2-3/4'						
LOCATION: S:\CADD\OFFICE\MOULDINGS\3074						
ATW-3074						
BROSCO REF.# 8010						

250 Cape Highway East Taunton, MA 02718
Phone: 508-822-7745 Fax: 508-822-7734
Website: www.advancedtrimwright.com
© 2005 AdvancedTrimWright, Inc.