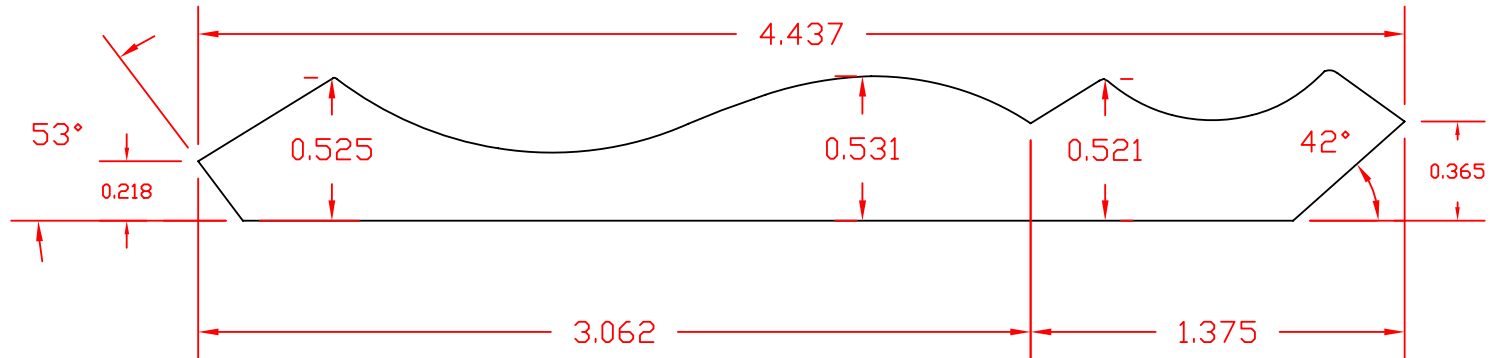
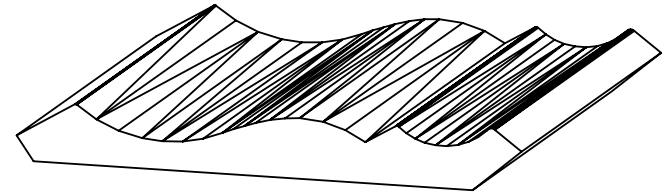
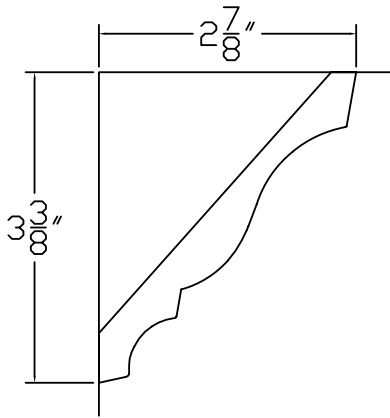


ATW 3040 CROWN
WALL COVERAGE



4-7/16" CROWN MOULDING
ATW-3040



Advanced TrimWright, Inc. TM		SCALE	DATE	DESIGNED BY	CHECKED BY	APPROVED
The New Standard of Exterior Trim Products		2:1	1/4/07	JJM		X
PROFILE TYPE: CROWN MOULDING						
SIZE: 1/2' X 4-7/16'						
LOCATION: S:\CADD\OFFICE\MOULDINGS\3040						
						ATW-3040
250 Cape Highway East Taunton, MA 02718 Phone: 508-822-7745 Fax: 508-822-7734 Website: www.advancedtrimwright.com © 2005 AdvancedTrimWright, Inc.						