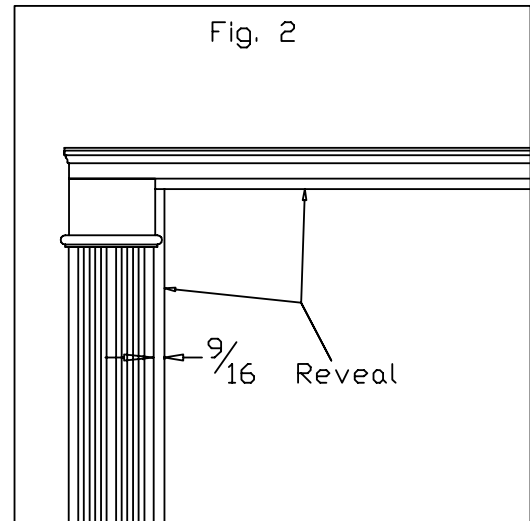
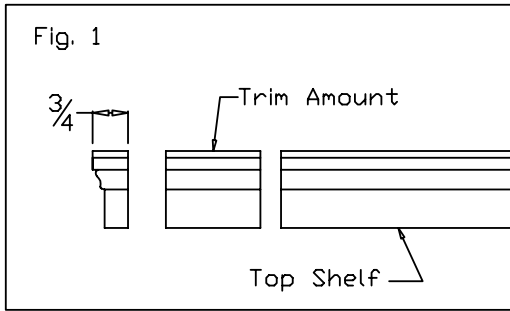


Installation Instructions - B-5 6'4" 6'8"/7'0" EntryTRIM™



INSTALLATION INSTRUCTIONS - EntryTRIM™

TOOLS NEEDED FOR PROPER INSTALLATION:

- ◆ Hammer
- ◆ 8D galvanized or stainless steel trim nails
- ◆ Level
- ◆ Tape measure
- ◆ Flashing or drip cap
- ◆ Bond&Fill™ FLEX (available from your building materials dealer)

OPTIONAL: Bond&Fill™ Structural for reattaching returns or laminating PVC as needed.

For further information on Bond&Fill products visit: [WWW.BONDFILL.COM](http://www.bondfill.com) <[HTTP://WWW.BONDFILL.COM](http://www.bondfill.com)>

INSTALLATION STEPS:

1. **REMOVE TRIM FROM CARTON:** To begin installation, remove product from the carton(s) and lay out in a flat, clean and dry area. Arrange the trim according to how it would appear on your door unit. The 6'-0" basic trim kits are adjustable for most types of installation and construction. The fluted pilasters and mull casings are designed for a door with a height dimension of 6'-8". Note: For 7'-0" entrance height or more, you will need to cut plinth blocks to fit between the threshold (sill) and the bottom of the plaster or mull casings. See fig. 1.
2. **ESTABLISHING A REVEAL:** To install the pilasters and /or the mull casings to an existing door unit or door with sidelight combination you should first determine the reveal. In most cases the reveals vary between 3/8" and 9/16". A reveal is located at the inside face of the door or sidelight frame and the edge of the pilasters and mull casings and at the top of the doorframe where the top shelf will be secured. See fig. 2. If removing old exterior trim (brick mould or casing), mark the reveal on the frame so you can use that reveal again when attaching new pilasters.
3. **TYPE OF INSTALLATION:** If you are installing ATW EntryTRIM in new construction, it is important to assemble and install trim before the siding or exterior finish is applied. This will allow you to butt your exterior siding or finish up to the basic trim kit. If you are remodeling, you need to determine which method of installation best fits your needs. Option #1 (recommended) is to trim siding back to accommodate the pilasters. Option #2 is to install over the siding and fill the gaps between the back of the pilaster or trim and your siding of the home.
4. **ADJUSTING THE TOP SHELF ON THE BASIC TRIM:** The overall length of the Top Shelf for the 6'-4" trim kit shelf measures 89'-0" end to end. The top Shelf when properly installed will allow for approximately 7/16" reveal at the pilasters and frame of the unit. Each end of the Top Shelf is machined with a return profile. The return projects approximately 1/4" beyond both ends of the lower portion of the Top Shelf. Cut off the return profile approximately 3/4" from the end at the top of the shelf and save. See fig. 3. Using the unit frame and pilaster dimension, measure and mark the top shelf to that length. Measure from the bottom of your shelf, at the end below the 1/4" projection and place a mark near the end that you cut off. Square up the saw and cut the top shelf to length. Re-attach the 3/4" return that you saved. Predrill, and re-attach with brads and **Bond&Fill™ Structural Adhesive**. Sidelight mull casings (two 86" x 2 1/2") are included with all 6'-4" trim kits. Bond & Fill is sold at your local lumber yard or on-line at [WWW.BONDFILL.COM](http://www.bondfill.com)
5. **THE INSTALLATION OF PILASTERS AND /OR MULL CASINGS:** The Pilasters and/or Mull Casings fit between the top shelf and the threshold or sill of your frame or unit. The outer edge of the Pilaster when installed with the top shelf should line up with the lower squared ends of the top shelf. See fig.1. If the Pilaster/Mull Casings are too short, cut a piece of wood (plinth block) to make up the difference. The plinth block size is slightly larger than a Pilaster or Mull Casing. The Pilaster plinth block length must be determined in the field. Plinth blocks are also included for Mull Casings. If your sill is cut short (no horns) you may choose to have the Pilasters along side but not below the bottom of the sill.
6. **INSTALLATION OF THE TOP SHELF:** When installing the Top Shelf for most construction applications we recommend a drip cap or flashing material be used. This will help prevent water from entering the home. To install the Top Shelf, align the lower edge of the shelf with the horizontal reveal line that you marked on your frame. You may want to cut or profile your siding around the return moulding at the end of your Top Shelf. The flat ends of the Top Shelf should line up with the outside edge of your pilasters. Secure the Top Shelf at several locations along the structure and Top Shelf.
7. **FINISHING:** Although ATW EntryTRIM doesn't require a topcoat of finish we recommend one coat of 100% Acrylic Latex paint to insure years of lasting beauty.